

REPORT ON THE ENTRANCE PROJECT

Tom Mathews – Lead

Cecilia Wyant (senior warden), Don Rowe (junior warden), Mirona & Roy Bendfeldt, Joe Dunbar, Pat McAlpin, Mat. Emily Parsells, Rdr. George Kaloroumakis, and Constantine Mitsopoulos.

PHASE 1 – INFRASTRUCTURE

INCOME

2017-2019	2020	TOTAL
\$10,460	\$64,075	\$74,535

EXPENSES

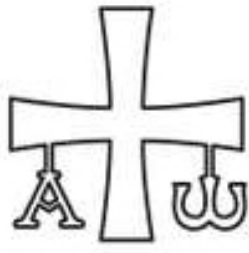
Concrete	Electric	Labor	Materials	Sitework	Roofing	TOTAL
11,000	4633.91	23,520.95	23,214.80	4,635	5,140	72,144.66

PHASE II – ILLUMINATION

INCOME / EXPENSES

Phase I (surplus)	Donations	Income (total)	Expenses	Balance
2,390	37,874	40,264	35,562	4,702

Lampposts	Electrical	Crosses	Mosaics	Sign	Landscaping	TOTAL
4,436	9,007	20,400	1,467	0	250	35,562
installed	completed	to be installed	in progress	estimate \$3K	TBD	TBD
August 2021	August 2021	April 2022	2022	April 2022	April 2022	2022



Parish Center

1. chi-rho
2. alpha-omega

Entrance Walls

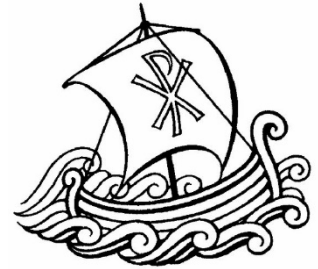
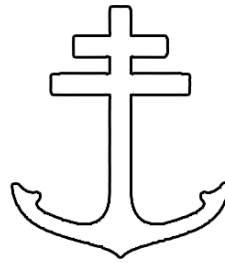
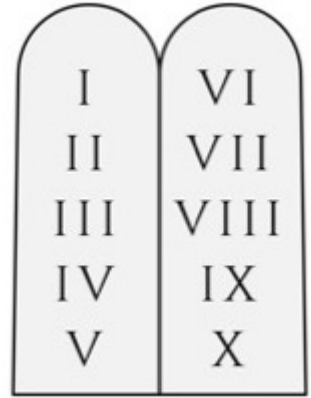
1. anchor
2. fish
3. dove + branch
4. crown + orb
5. cross
6. ship
7. tablets
8. church
9. tree
10. bible

Archway

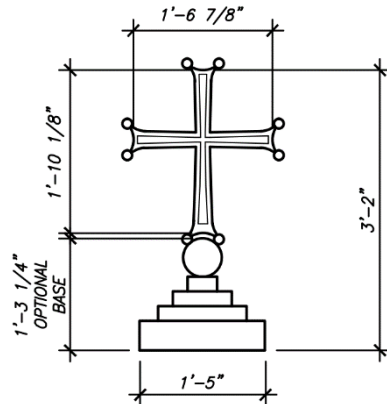
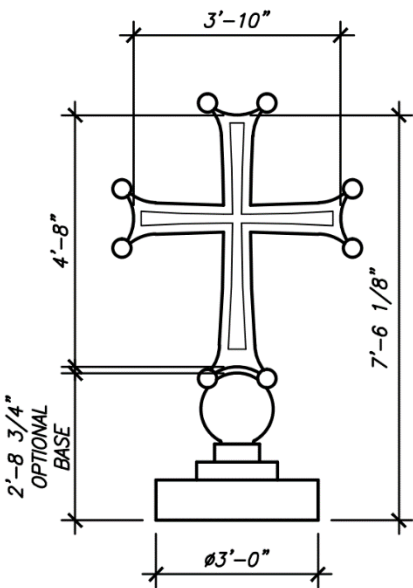
Icon of Christ Not-Made-By-Hands

Courtyard (forthcoming project)

1. ark + rainbow
2. phoenix
3. fountain
4. grapes + chalice
5. rooster
6. scales
7. bronze snake
8. peacock
9. pelican
10. nika
11. blessing hand
12. ladder
13. censor



Rooftop Crosses: 1 large + 7 small



Mosaic of Icon-Not-Made-By-Hands

